



STANDBY GENERATORS

45/48kW¹ COMMERCIAL STANDBY GENERATORS



TAKE BETTER CARE OF YOUR CUSTOMERS

Eliminate your customer's losses from power outages. Supported by the best commercial warranty in the industry and an easy monitoring system, your customers can be confident, that when the power goes out, it will perform.

Designed to offer you more options for businesses with increasing electrical demands, commercial generators are part of a complete line of Standby Generators – perfect for businesses.

To learn more, visit briggsandstratton.com/generators

FEATURES AND BENEFITS

Best Commercial Warranty

Compared to other 1 and 2 year commercial warranties, Briggs & Stratton offers a 4 year (1,600 hours) limited warranty* that includes parts and labor for the duration of the warranty. It's the most comprehensive warranty in the commercial standby power industry.

Durable GM Vortec Engine

Found in industrial applications, premium-grade GM Vortec 1,800 RPM engines provide strong, reliable power without giving up quiet operation or durability.

Longer Product Life

Maximize your customer's investment with a standby generator that can stand the test of time. Designed for longer product life and budget-friendly operation, Briggs & Stratton Commercial Standby Generators have low speed 1,800 RPM liquid cooled engines, limited temperature rise on the alternator and corrosion-resistant, all-metal enclosures.

Easier to Service

Convenient access points make it easier to service and provide immediate access to the entire engine without time-consuming disassembly.

Worry-free Monitoring - Included!

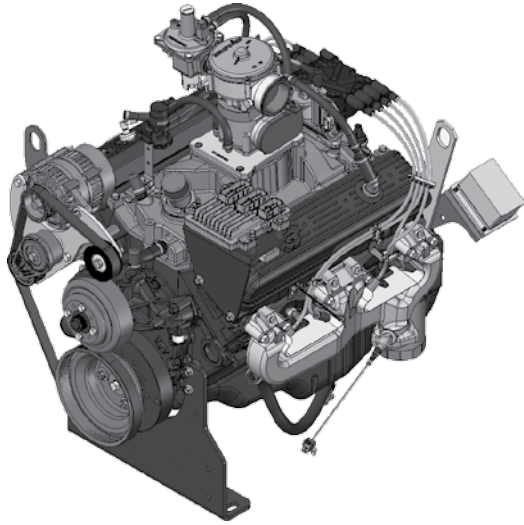
Help your customers discover maintenance needs on their standby generator before a power outage. The compact, easy-to-read status panel delivers instant alerts from inside the comfort of your customer's home.

GENERATOR SET RATINGS

MODEL	ALTERNATOR	VOLTAGE	POWER FACTOR	PHASE	HZ	BREAKER	LP VAPOR		NATURAL GAS	
							KW	AMPS	KW	AMPS
076031-00	50-BSPP-0	120/240	1.0	1	60	225	45	187.5	45	187.5
076151-00	50-TBSPP-0	120/208	0.8	3	60	200	48	167	45	156
076152-00	50-TBSPP-0	139/240	0.8	3	60	175	48	144	45	135

NON-STOP RELIABILITY

Experienced in powering critical industrial applications, this premium engine is a proven powerhouse. GM Vortec 1800 RPM engines provide strong, reliable power without giving up quiet operation or durability. Plus, our low-operating speeds are designed for longer product life.



LONG-LASTING DURABILITY

Corrosion-resistant all-metal enclosures are built to last protecting against extreme weather conditions and supported by the longest enclosure warranty in the industry.

EASY TO SERVICE

Convenient internal swing open doors make it easier to service and provide immediate access to the entire engine. You no longer have to take apart the bolted together finger guards to access the engine saving you precious time and the hassle of disassembly.

No cost or hidden fees are associated with support software to repair Briggs & Stratton Commercial Standby Generators. Support software can be easily downloaded from the PowerPortal.

ENGINE SPECIFICATIONS

Engine Model Number	GM Vortec 5.0L Industrial Powertrain
Engine Type	8 Cylinder, 4-Cycle
Displacement (ltr / cc)	5.0 / 5013
Nominal RPM	1800
Induction System	Naturally Aspirated
Air Filter Type	Dry
Governor Type	Electronic
Freq Reg NL to FL	Isochronous
Freq Reg Ready State	+/-0.5%

ENGINE LUBRICATION SPECIFICATIONS

Lubrication Type	Full Pressure
Oil Pan Capacity (qts / ltr)	4.5 / 4.3
Oil Pan Capacity with Filter (qts / ltr)	5.0 / 4.7
Oil Filter Quantity / Type	1 / Cartridge
Recommended Oil	API GF-4 10W30

ENGINE COOLING SYSTEM SPECIFICATIONS

Max Ambient Temp (°F / °C)	104 / 40
Engine Coolant Capacity (gal / ltr)	2.3 / 8.5
Engine + Radiator Coolant Capacity (gal / ltr)	6.0 / 22.7

ENGINE ELECTRICAL SYSTEM SPECIFICATIONS

Charging Alternator (volts dc)	12
Recommended Battery (volts dc)	12
Recommended Battery (cca)	630
Quantity Needed	1

ENGINE FUEL SYSTEM SPECIFICATIONS

Recommended Fuel LP min LHV (btu/ft ³) NG min LHV (btu/ft ³)	2260 890
Fuel Supply Pressure in-H ₂ O	7-11 (at full load)
Fuel Supply Line at Engine (npt)	1"

WEIGHT AND DIMENSIONS

Weight - (lb / kg)	1890lb/857kg
Overall Dimensions	98.4" x 39.5" x 44.5" 2499mm x 1001mm x 1131mm

LP FUEL CONSUMPTION³ - STANDBY RATING

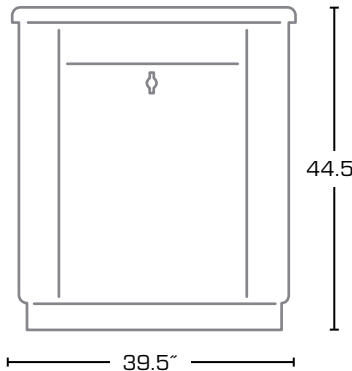
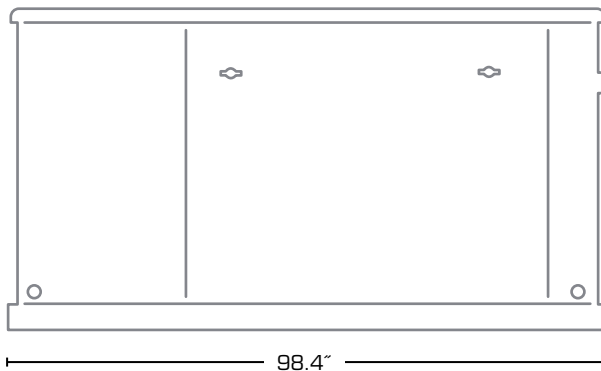
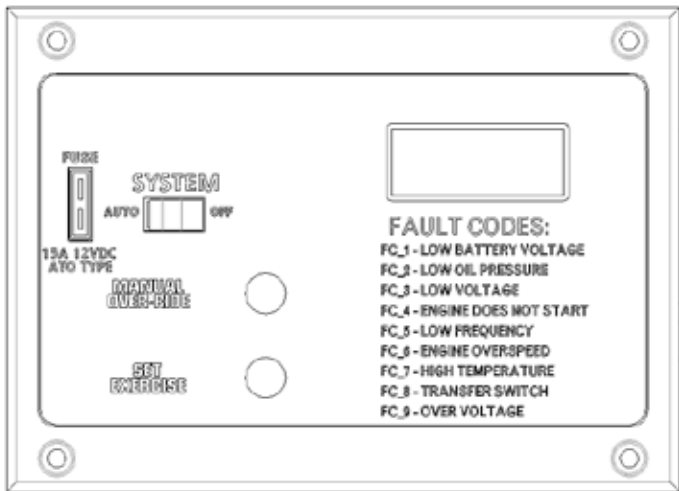
	076031-00	076151-00 076152-00
100% Load (cfph / gal/hr)	294 / 7.7	314 / 8.2
50% Load (cfph / gal/hr)	173 / 4.5	185 / 4.8
No Load (cfph / gal/hr)	79 / 2.1	79 / 2.1

NG FUEL CONSUMPTION³ - STANDBY RATING

100% Load (BTU/hr)	717,000
50% Load (BTU/hr)	429,000
No Load (BTU/hr)	207,000

ENGINE OUTPUT DERATINGS - STANDBY

Rated Temp	77°F / 25°C
Rated Altitude	Sea Level
Max Altitude	15,000 ft
Temperature Derate	1% for each 10°F (5.6°C) above rated temp
Altitude Derate	3% / 1000 ft



ALTERNATOR SPECIFICATIONS

Manufacturer	BSPPG, LLC
Type	4-pole, rotating field
Leads (quantity)	4 (single phase), 6 (three phase)
Voltage Regulator	Solid state, Volts/Hz
Insulation (material)	Class H
Designed Temperature Rise Limit	125°C
Bearing (quantity / type)	1, Sealed
Voltage Reg NL to FL	+/-1.0%

ALTERNATOR - DESIGNED TO LAST

With a total temperature capability of 180°C, Briggs & Stratton Standby Generators limit the temperature rise to 125°C above ambient temperature to offer extended alternator life.



CONTROLLER

Remote System Status alerts are communicated to a small wall mountable display with a light indicator and a quick reference to the codes on the generator. The number of blinks represent the fault code issue.

1. Low Oil Shutdown
2. Engine Does Not Start
3. Low Frequency
4. Engine Overspeed
5. Low Voltage
6. Low Battery Voltage
7. Engine Temp High
8. Transfer Switch Fault
9. Over Voltage Protection

Not for Prime Power or use where standby systems are legally required, for serious life safety or health hazards, or where lack of power hampers rescue of fire-fighting operations.

¹ This generator is rated in accordance with UL (Underwriters Laboratories) 2200 (stationary engine generator assemblies) and CSA (Canadian Standards Association) standard C22.2 No. 100-04 (motors and generators)

² Warranty details available at briggsandstratton.com

³ Fuel consumption rates are estimated based on normal operating conditions. Generator operation may be greatly affected by elevation and the cycling operation of multiple electrical appliances – fuel flow rates may vary depending on these factors.

WHY CHOOSE BRIGGS & STRATTON?

Briggs & Stratton offers a full line of automatic Commercial Standby Generators for critical business applications during a power outage.

BEST COMMERCIAL WARRANTY

Compared to other 1 and 2 year commercial warranties, Briggs & Stratton offers a limited 4 year (1,600 hours) warranty² that includes parts and labor for the duration of the warranty. It's the most comprehensive and longest warranty in the commercial standby power industry.

TOTAL PACKAGE

Briggs & Stratton is your single source destination for all generator, transfer switch and accessory needs. By ordering from us, you save time, money and eliminate the hassle of dealing with additional suppliers.

TRUSTED BRAND

Briggs & Stratton is a name that your customers know and trust. Customers are confident that Briggs & Stratton products have the power to perform for many years.

Familiar brands are much easier to sell than unfamiliar ones. Make your job easier by selecting a supplier that your customers know and trust.

RELIABLE PRODUCTS

Field-driven design and extensive testing help ensure that customers are receiving one of the best standby generators available.

SUPPORT EVERY STEP OF THE WAY

Need help? Just call 800-759-2744. Our technical support team is trained to answer questions on our generators, transfer switches and accessories.

**READY TO PLACE AN ORDER?
OUR TEAM IS READY TO HELP.
CALL 1-87-RELY-ON-US.**

INCLUDED EXTRAS

- an integrated system status panel
- hour meter
- battery charger
- radiator fluid
- oil

TRANSFER SWITCHES

BRIGGS & STRATTON TRANSFER SWITCH

Get more power out of commercial standby generators with our Briggs & Stratton transfer switches. All of our transfer switches feature an Air Conditioning Control Module (ACCM) that manages the load of one or two air conditioners while keeping critical business applications powered.

Flexible, indoor or outdoor, transfer switch placement make it convenient to install. All of our weather-resistant transfer switches are NEMA 3R rated for maximum protection against dirt, rain, sleet and snow.

Briggs & Stratton Transfer Switches operate best with our Briggs & Stratton single-phase commercial standby generators.

GE ZENITH TRANSFER SWITCHES

Advanced, high-speed switching for today's most critical loads, GE Zenith transfer switches are highly reliable for essential business applications. GE Zenith Transfer Switches are available in a variety of ampacities and configurations.

Receive a 2 year limited warranty² when you purchase a GE Zenith Transfer Switch from Briggs & Stratton.

AVAILABLE ACCESSORIES

MAINTENANCE KIT (6168)

Easily complete scheduled and preventative maintenance on your standby generator with an all-in-one kit. Each kit is designed specifically for your generator's needs and includes popular maintenance products like oil and air filters, an oil funnel and spark plugs for quick, easy servicing.